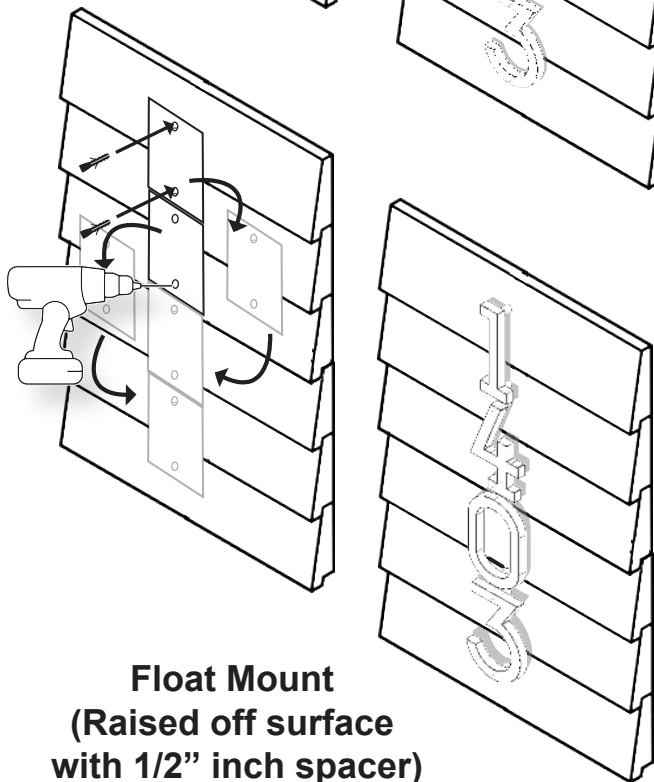
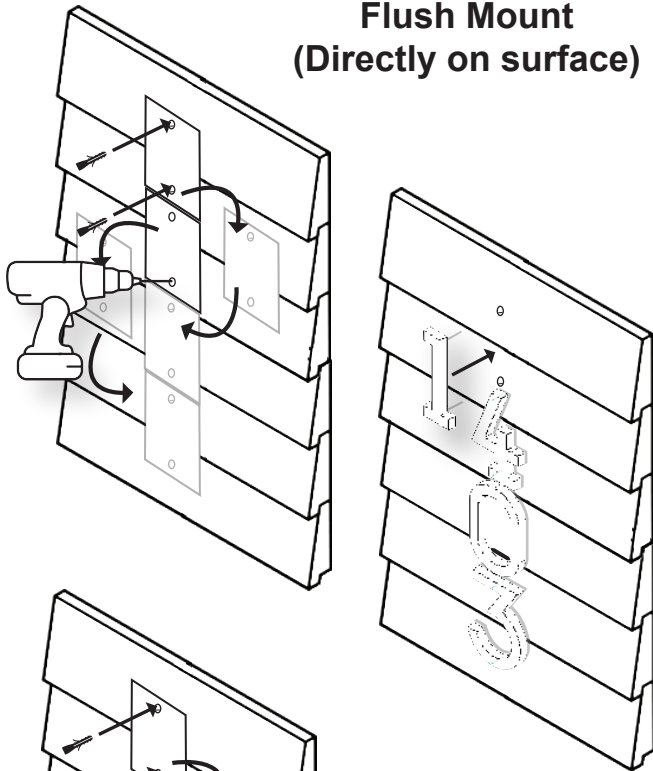


### Tools Needed for Flush & Float Install



### Flush Mount (Directly on surface)



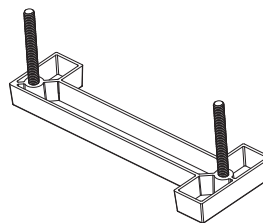
### Float Mount (Raised off surface with 1/2" inch spacer)

### Flush Install

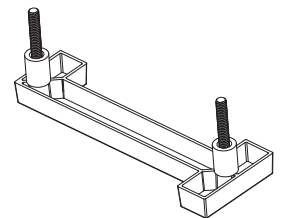
1. Locate paper templates, cut out and tape first piece in desired location. Check and ensure template is level. Tape second template in either a horizontal or vertical address configuration. You will reuse templates for addresses with 3, 4 & 5 digits.
2. Using a 1/4 drill bit, drill into surface at the center mark locations on the templates.
3. Remove template, and if needed for 3, 4 & 5 digits, place directly under or to the right of the previous two templates location. **(See template for diagram)**
4. Repeat drilling out the two hole locations on templates. Repeat moving template if needed for more anchor drill points.
5. Once your mounting holes are drilled out for the proper address configuration, locate plastic wall anchors and press into pre-drilled holes.
6. Thread the two threaded rods into the two threaded hole counters on the back of each number.
7. Align threaded rods accordingly with wall anchors and press into anchors. Gently use rubber mallet to finish setting number into place. **(if you don't have a rubber mallet use a hammer covered with a soft cloth.)**

### Float Install

1. Locate paper templates, cut out and tape first piece in desired location. Check and ensure template is level. Tape second template in either a horizontal or vertical address configuration. You will reuse templates for addresses with 3, 4 & 5 digits.
2. Using a 1/4 drill bit, drill into surface at the center mark locations on the templates.
3. Remove template, and if needed for 3, 4 & 5 digits, place directly under or to the right of the previous two templates location. **(See template for diagram)**
4. Repeat drilling out the two hole locations on templates. Repeat moving template if need for more anchor drill points.
5. Once your mounting holes are drilled out for the proper address configuration, locate plastic wall anchors and press into pre-drilled holes.
6. Thread the two threaded rods into the two threaded hole counters on the back of each number.
7. Slide 1/2" inch spacers on threaded rods.
8. Align threaded rods accordingly with wall anchors and press into anchors. Gently use rubber mallet to finish setting number into place **(if you don't have a rubber mallet use a hammer covered with a soft cloth.)**



Flush Mount  
(Directly on surface)



Float Mount  
(Raised off surface  
with 1/2" inch spacer)

### Tools Needed for Assembly



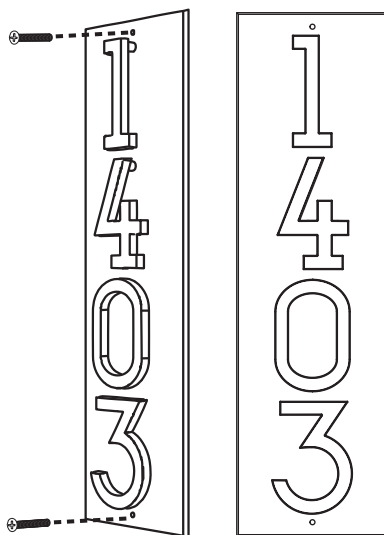
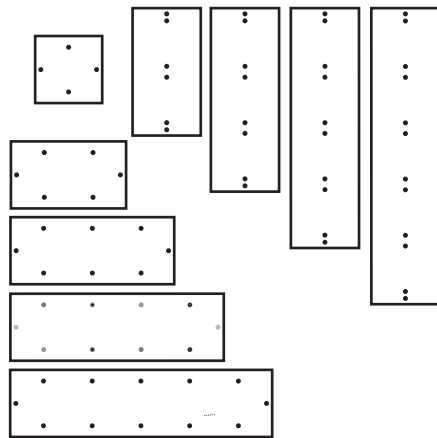
Phillips  
screwdriver

### Modern Stand-off Numbers

0 1 2 3 4 5 6 7 8 9

(Hardware included with each number)

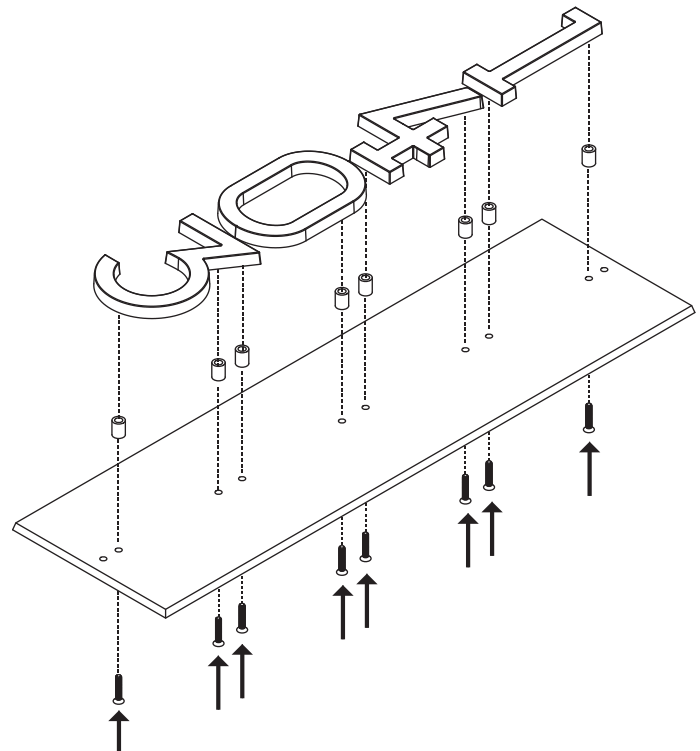
### Plaque Styles Horizontal / Vertical



Use pre-drilled holes in plaque to  
mount address plaque to wall

### Plaque Assembly

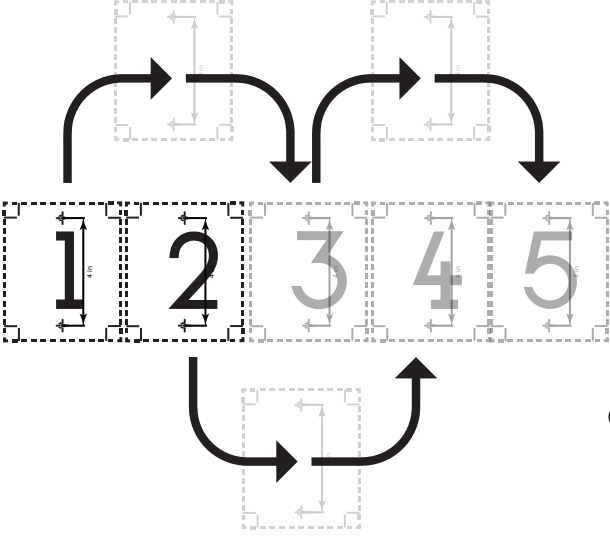
1. Locate blank plaque, numbers, hardware, and Phillips screw driver.
2. Position blank plaque in an up right position. **Ensure you are setting screws into the plaque properly by noticing the screw countersinks on the backside of plaque.** Using one hand, feed the screw through the back of the plaque into the correct mounting holes with countersinks on the back.
3. With the other hand, set the 1/2" spacer over the exposed threads on the front side of plaque.
4. While continuing to hold screw in place, locate the first number of your address and begin to thread the screw into the threaded hole in the back of the modern stand-off number using a Phillips screw driver. **DO NOT TIGHTEN COMPLETELY. WAIT UNTIL SECOND SCREW IS THREADED TO FULLY TIGHTEN SCREWS.**
5. Repeat steps 2-4 for the next screw and 1/2" spacer for the second threaded hole.
6. Tighten both screws until stand-off number is no longer lose on the plaque.
7. Continue going through steps 2-7 for each additional modern stand-off number need to complete your address.
8. Once all of your modern stand-off numbers are mounted to the plaque you will use the two black oxide screws included in the original packaging to mount on your wall/exterior. **(Use masonry screws or wall anchors if needed for certain materials like brick or stucco.)**



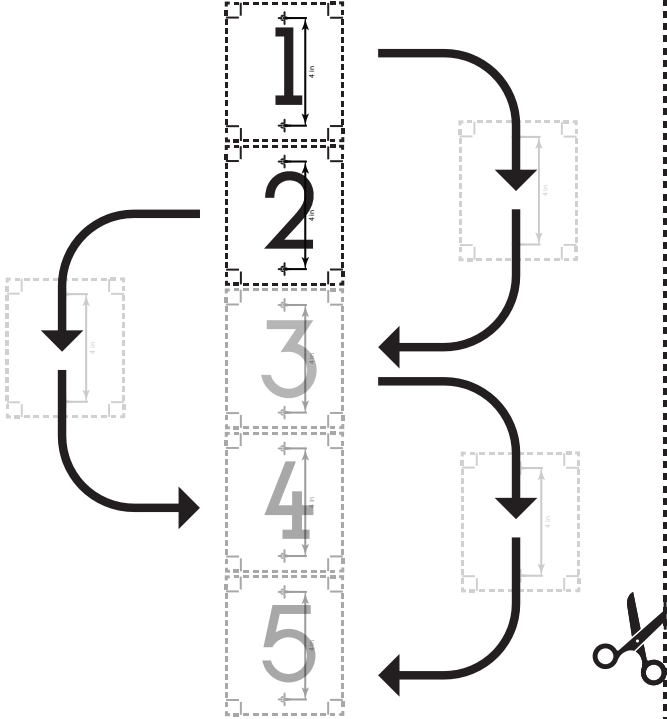
# Mounting Templates

You will reuse templates for  
Addresses with 3, 4 & 5 digits

If you would like to print out additional templates  
Visit our website at [www.whitehallproducts.com](http://www.whitehallproducts.com) and  
under Media then Instruction Sheets you'll find  
additional Modern Stand-off installation templates



**Horizontal Mount**



**Vertical Mount**

