

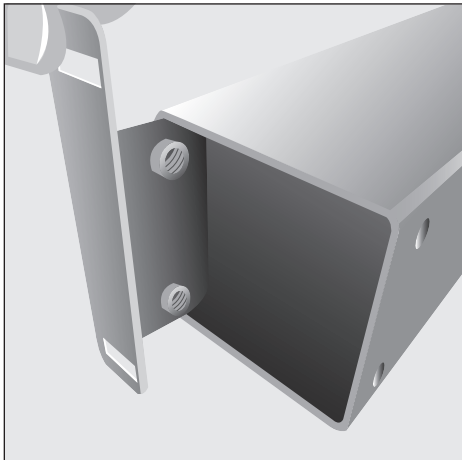
RetroBox & UptownBox assembly instructions

Please Note: When choosing a location, make sure sprinklers do not directly spray into the box. The box has a water sealing gasket to protect the elements, but not with a direct sprinkler spray. Also, well water spray and placement under deciduous trees may permanently discolor the box.

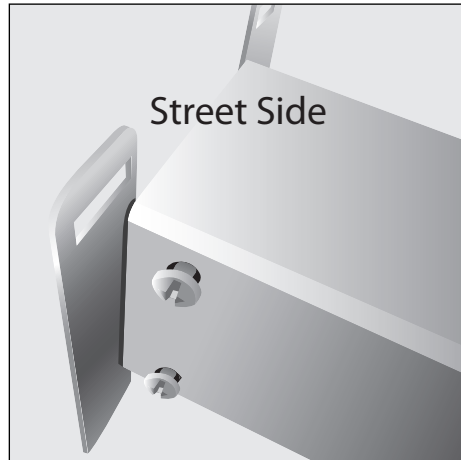
Tools Needed:

1. 1 7/16" Socket or Crescent Wrenches
2. Level
3. Shovel or Post Hole Digger
4. 50 lbs. of concrete mix. Quickrete works great.
5. Garden hose with water source for concrete.

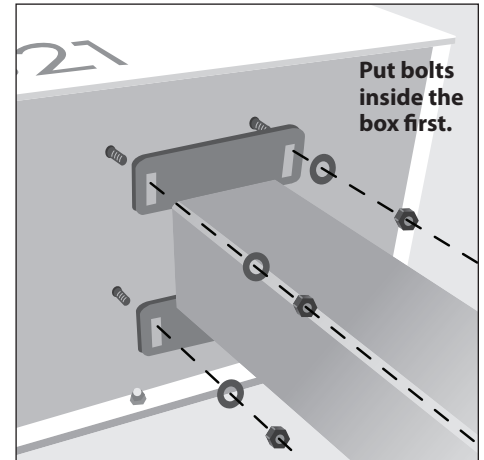
Pole Assembly Instructions



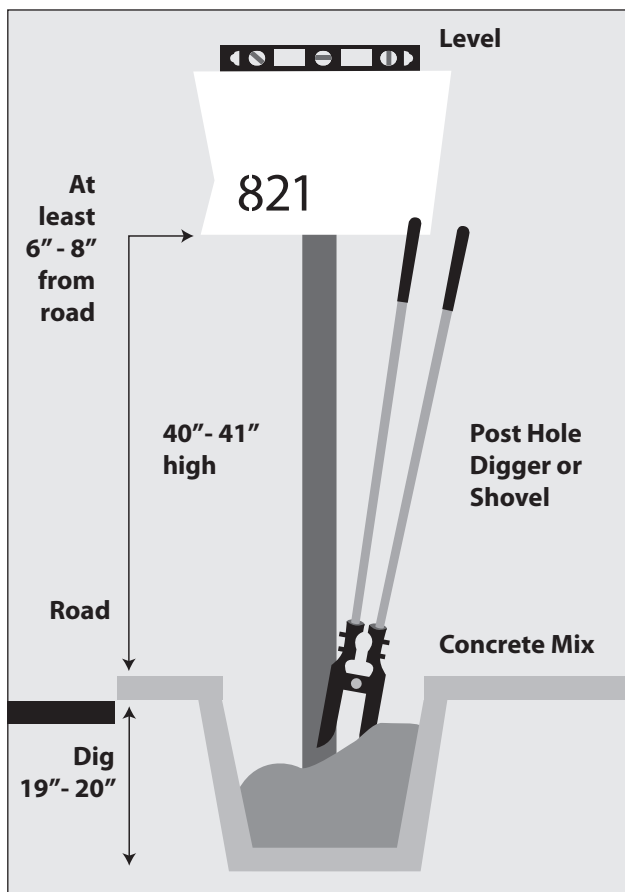
1. Insert brackets to line up with the side holes.



2. Use the Four Screws to attached to the pole.



3. Attach the box to the pole with the four included 7/16" bolts, washers and nuts using your 7/16" Socket or Crescent Wrench. **Please Note:** make sure both doors are in the lock position, that way the doors will not swing and damage the finish of the doors. This can happen when installing the pole into the ground.



4. Place Pole with box attached in hole, and place level on top of the box. Level from front to back & side to side.
5. Follow the manufacturer's instructions for mixing the concrete and fill the hole, checking the level and adjust as needed. Allow to set for 24 hours.

Warranty

The RetroBox & Uptown offers a one year warranty that covers replacement parts due to any defect in material. Your RetroBox & Uptown will last a long time if you follow the care instructions included on the back page. Please contact us if you have any issues and send photos through info@tedstuff.net

RetroBox & UptownBox cleaning instructions

The RetroBox & Uptown Box are made like tanks, *but* like any fine piece of equipment, simple maintenance should be performed as needed to keep your box looking good forever. Any surface rust that may occur due to minerals in the air (A/B) can be cleaned with WD-40 and a Scotch-Brite pad (C/D/E).

The stainless steel pole and base can be protected with WD-40 or 303-Marine protectant (F). The painted box and doors (G/H) should be wiped down with clean soap and water, then waxed with 303-Marine protectant, which can also be found at any hardware or marine supply store.

