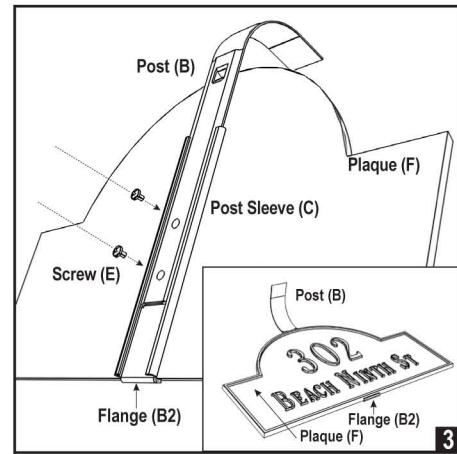
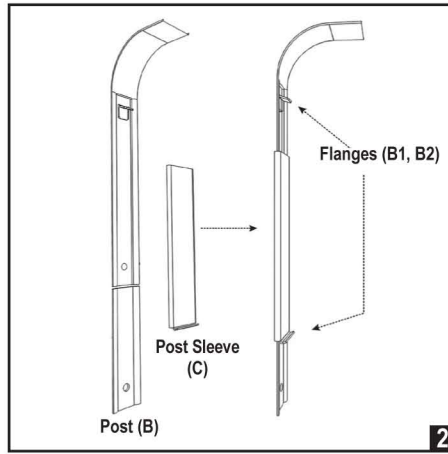
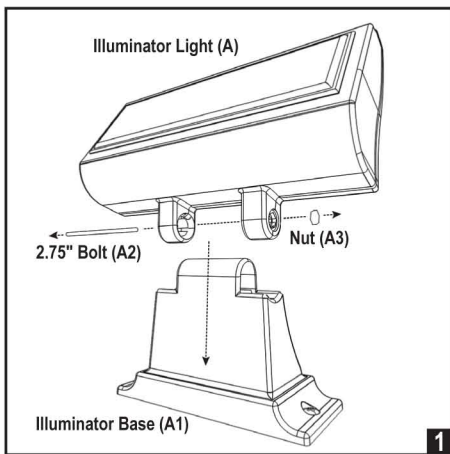


Illuminator Post Instructions



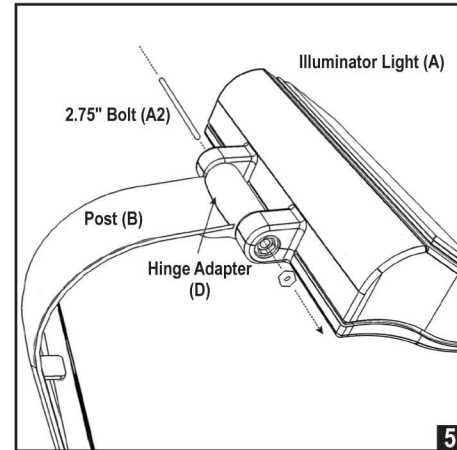
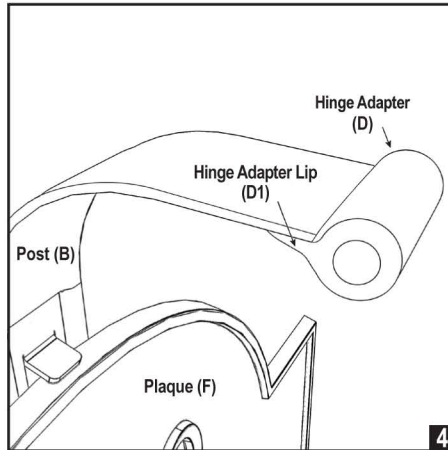
English

Parts Included:

- 2.75" Bolt (A2)
- Nut (A3)
- Post (B), with Flanges (B1, B2)
- Post Sleeve (C)
- Hinge Adapter (D), with Lip (D1)
- Screws (E)

Parts Not Included:

- Illuminator Light (A)
- Illuminator Base (A1)
- Plaque (F)



1 Detach Illuminator Light From Base

- Locate 2.75" Bolt (A2) at the neck of the Illuminator Light (A), where the light attaches to the Illuminator Base (A1), and unscrew to detach light from base. Place base aside, keep Bolt (A2), and Nut (A3) nearby.

2 Assemble Post

- Slide the Post Sleeve (C) onto the bottom of the Post (B), with the open side of the post sleeve facing the opposite direction of the curve in the neck of the Post (B). This will orient Flanges (B1, B2) on the same side.

3 Secure Plaque Onto Post

- Before securing Plaque (F), measure its height to determine if the bottom portion of the post needs to be removed. For standard size plaques (7.5"x11"), you may snap off the excess post by bending back and forth along the score at the bottom. You may discard the bottom portion of the post. For estate size plaques (11.6"x17.5"), do not separate the post along the score.
- Clean the top and bottom edges of the plaque using mild soap and water to remove any dirt or oils. Let dry completely. This will allow you a clean surface for the adhesive to stick properly.
- Locate both Flanges on post (B1, B2), and remove the liner from the tape to expose the adhesive.
- With the Post (B) laying flat on the ground or a table, place Plaque (F) on post, and align to center.
- Once centered, slide the Post Sleeve (C) up the Post (B) until Flanges (B1, B2) secure to the Plaque (F). Apply 20 seconds of pressure to the Flanges (B1, B2) against the Plaque edges (F) to activate and secure the adhesive.
- Gently flip Plaque (F) and Post (B) over, then using a phillips head screwdriver secure Post Sleeve (C) to Post (B) by tightening the provided Screws (E) into the post.

4 Attach Hinge To Post

- Lay Post (B) and plaque assembly flat with the Plaque (F) facing up, as in step 3, then attach Hinge Adapter (D) to the end of the curved portion of the Post (B).

Note: The Hinge Adapter Lip (D1) should be positioned on the bottom side of the Post (B).

5 Secure Illuminator Light Onto Post

- Place your Illuminator Light (A) on Hinge Adapter (D), aligning the hinge to where the original Illuminator Base (A1) was attached, and secure into place using original 2.75" Bolt (A2) and Nut (A3). Adjust the angle of the Illuminator Light (A) to provide the best illumination on your Plaque (F).

Note: Once complete, the Illuminator Light (A) should face down.

800-824-9985

www.MailboxWorks.com

The Mailbox Works

CDG 09-WP-0032

AW-663