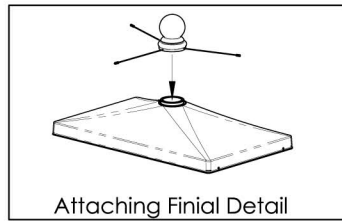


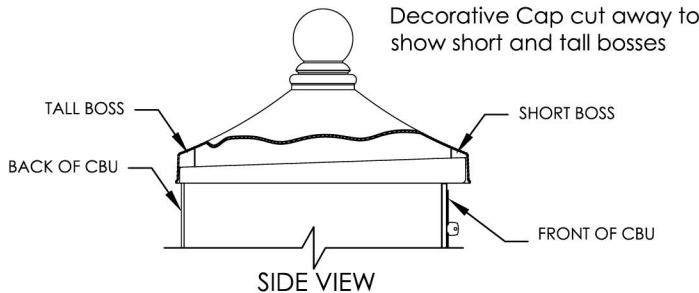
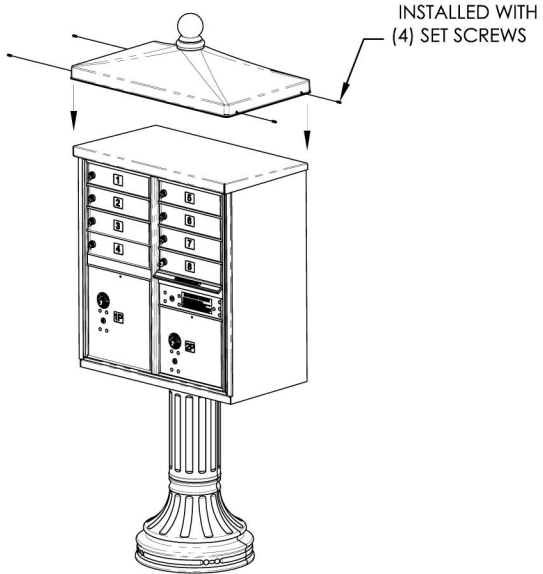
vue™ Traditional Series Finial Cap



Installation Instructions


- 1 These instructions assume that you have already properly installed the vital™ Cluster Box Unit (CBU 1570 series). If the CBU has not yet been installed, please refer to the instructions that came with the vital™ CBU, noting the clearance specification.
- 2 Attach the Finial to the top of the Decorative Cap by using the three 1/4-20 X 1/4" set screws. Do not over tighten.
- 3 Secure the Decorative Cap unit to the CBU using the four 1/4-20 X 1/2" set screws.
- 4 Make sure the short boss on the underside of the Cap is to the front. The roof should sit level with the ground after assembly. Do not over tighten and make sure all screws are tightened evenly.



Attaching Finial Detail



HARDWARE	
	1/4-20 X 1/2" SET SCREW (4)
	1/4-20 X 1/4" SET SCREW (3)

TOOLS

ALLEN WRENCH (1)

PRODUCT SERIES:		VOGUE™ TRADITIONAL SERIES - FINIAL CAP	
INSTALLATION INSTRUCTIONS			
		MODEL	FINIAL CAP
		SCALE	NONE
800-824-9985 www.MailboxWorks.com		REV	A
		LAST REV. DATE	8/2/2013
www.MailboxWorks.com		DRAWING NUMBER	91552
		DRAWN BY	AFD