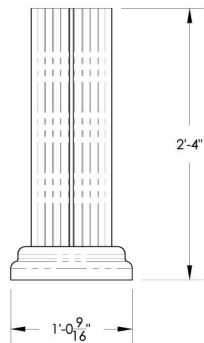
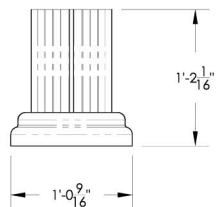


1570 CBU VIEW WITH INSTALLED ACCESSORIES

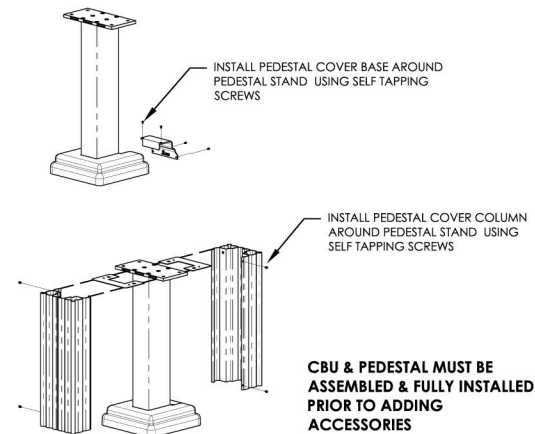
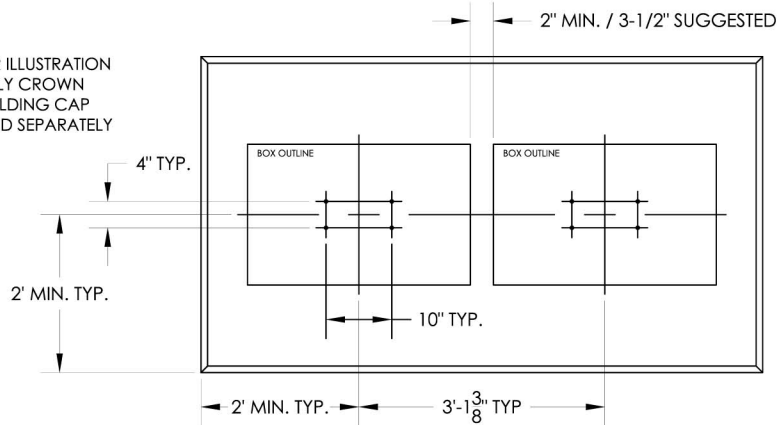
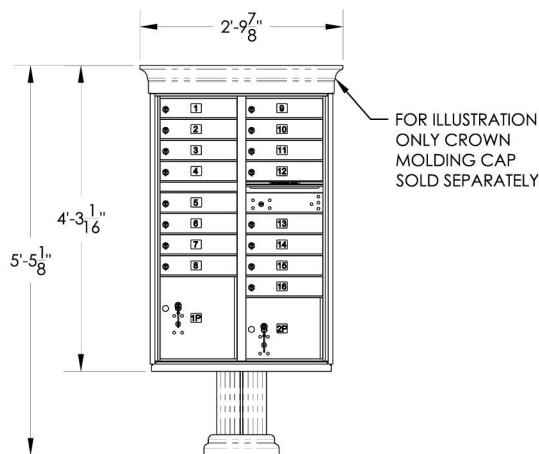
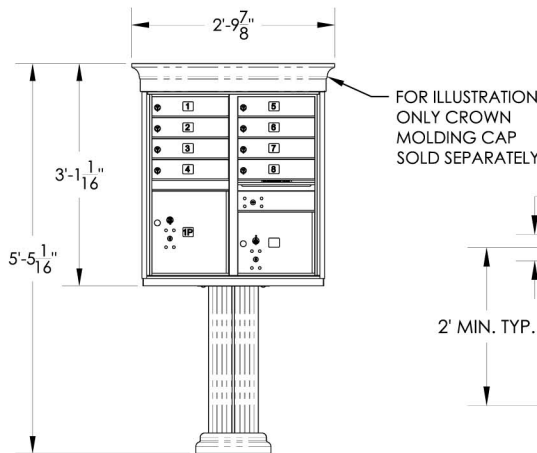
**MULTI-UNIT PAD SPECIFICATION  
IF INSTALLING WITH CROWN CAP**



FRONT & SIDE VIEW  
TALL PEDESTAL  
(VOGUEP128)



FRONT & SIDE VIEW  
SHORT PEDESTAL  
(VOGUEP114)



- NOTES:
1. CBU & PEDESTAL MUST BE ASSEMBLED AND FULLY INSTALLED PRIOR TO ADDING ACCESSORIES.
  2. PEDESTAL COVER AND CAP SOLD SEPARATELY.
  3. AVAILABLE IN ALL STANDARD CBU POWDER COAT FINISHES.
  4. PEDESTAL COVER INSTALLED USING SELF-TAPPING SCREWS (INCLUDED).
  5. PEDESTAL BASE COVER DESIGNED TO FIT OVER FLORENCE 1570 SERIES CBU PEDESTAL.

PRODUCT SERIES: VOGUE™ CBU ACCESSORIES PILLAR PEDESTAL COVER			
<b>The Mailbox Works</b>		MODEL: PILLAR PEDESTAL COVER	REV: A
800-824-9985		SCALE: NONE	DATE: 1/26/2011
www.MailboxWorks.com		DRAWING NUMBER: VOGUEP1CS	DRAWN BY: AFD SHEET: 1 OF 1