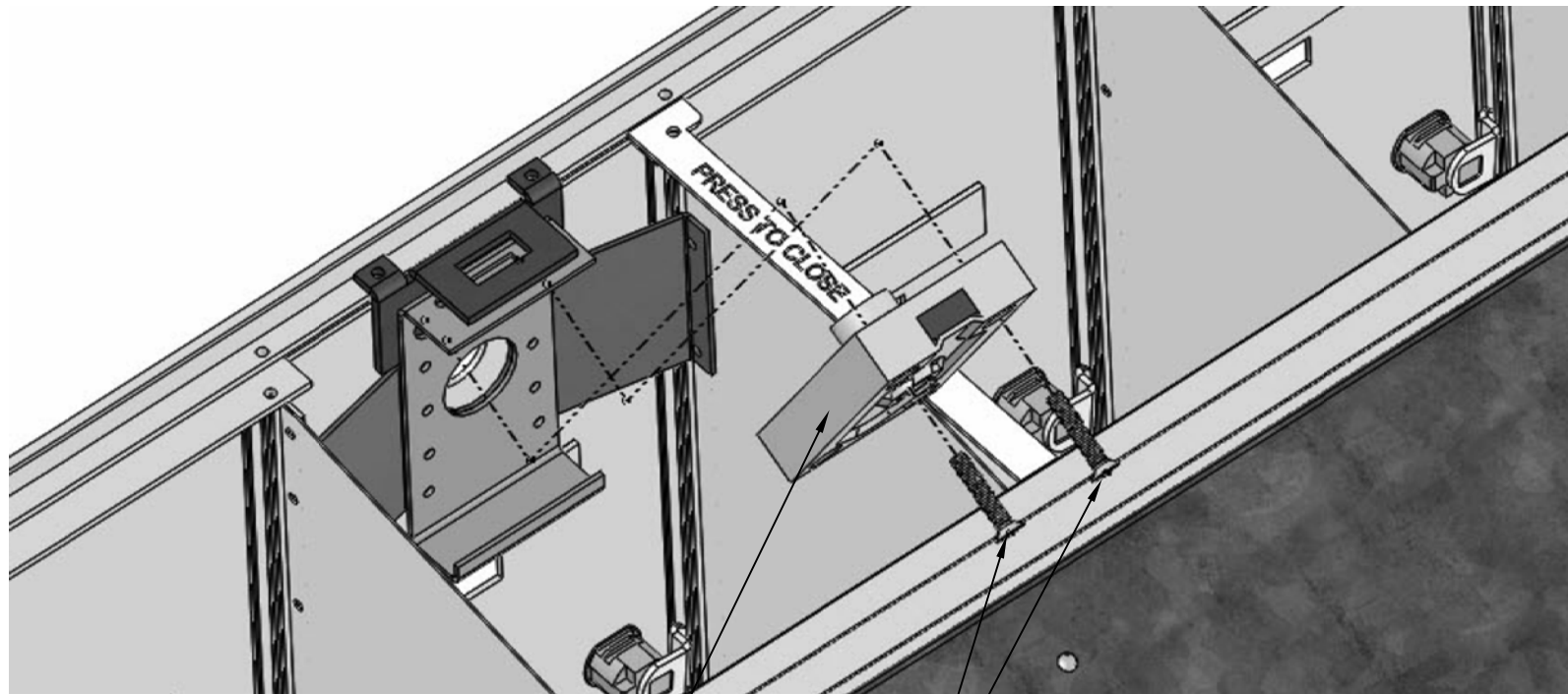


PRIVATE MASTER LOCK/CONVERSION KIT
INSTALLATION 1250 VERTICAL



206550
Private Lock/
Conversion Kit

30202
(Existing)

Instructions:

1. Open Vertical insert assembly (refer to installation instructions).
2. With the lock in the unlocked position, install the private lock/conversion kit (206550) in the access door assembly at an angle.
3. Use two (2) supplied #10-32 screw (30202) to secure lock to access door assembly.
4. Close and lock the master access door assembly.

PRODUCT SERIES: PRIVATE LOCK INSTALLATION INSTRUCTIONS

FLORENCE
CORPORATION

5935 Corporate Drive • Manhattan, KS 66503
800.275.1747 • www.florencemailboxes.com

MODEL	MULTIPLE	REV	-
SCALE	NONE	LAST REV DATE	4/26/2017
DRAWING NUMBER	206550INS		DRAWN BY
			NBC