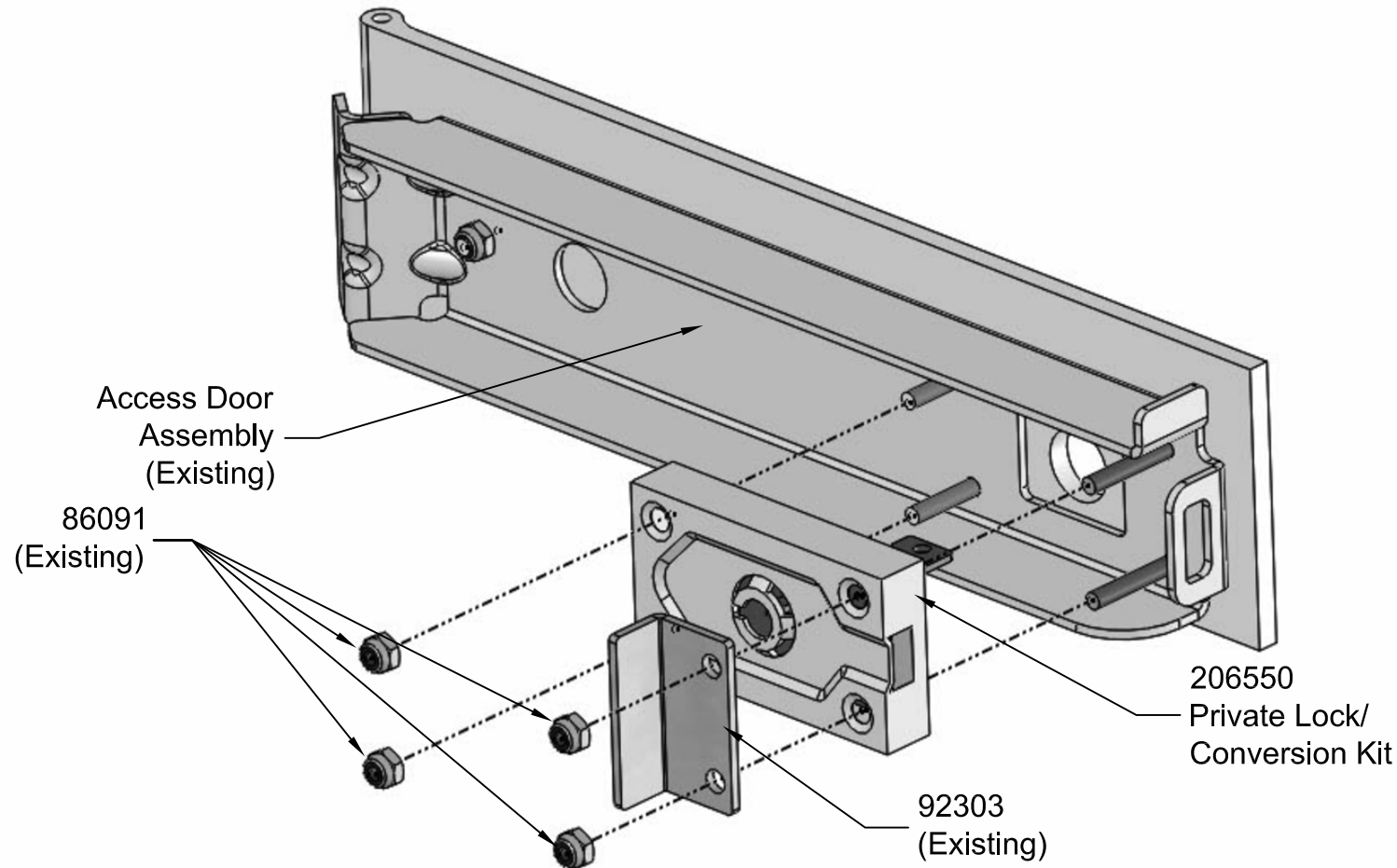


PRIVATE MASTER LOCK/CONVERSION KIT
INSTALLATION 4C/CBU



Instructions:

1. Remove four (4) #10-32 SS hex lock nuts with nylon (86091).
2. Remove one (1) lock support plate (92303).
3. Remove one (1) disposable plastic spacer (91146) not shown and discard.
4. With the lock in the unlocked position, install the private lock/conversion kit (206550) in the access door assembly.
5. Replace (1) lock support plate (92303) and (4) #10-32 SS hex lock nuts with nylon (86091).
6. Close and lock the master access door assembly.

PRODUCT SERIES: PRIVATE LOCK INSTALLATION INSTRUCTIONS

FLORENCE
CORPORATION

5935 Corporate Drive • Manhattan, KS 66503
800.275.1747 • www.florencemailboxes.com

MODEL	MULTIPLE	REV	-
SCALE	NONE	LAST REV DATE	4/26/2017
DRAWING NUMBER	206550INS		DRAWN BY
			NBC