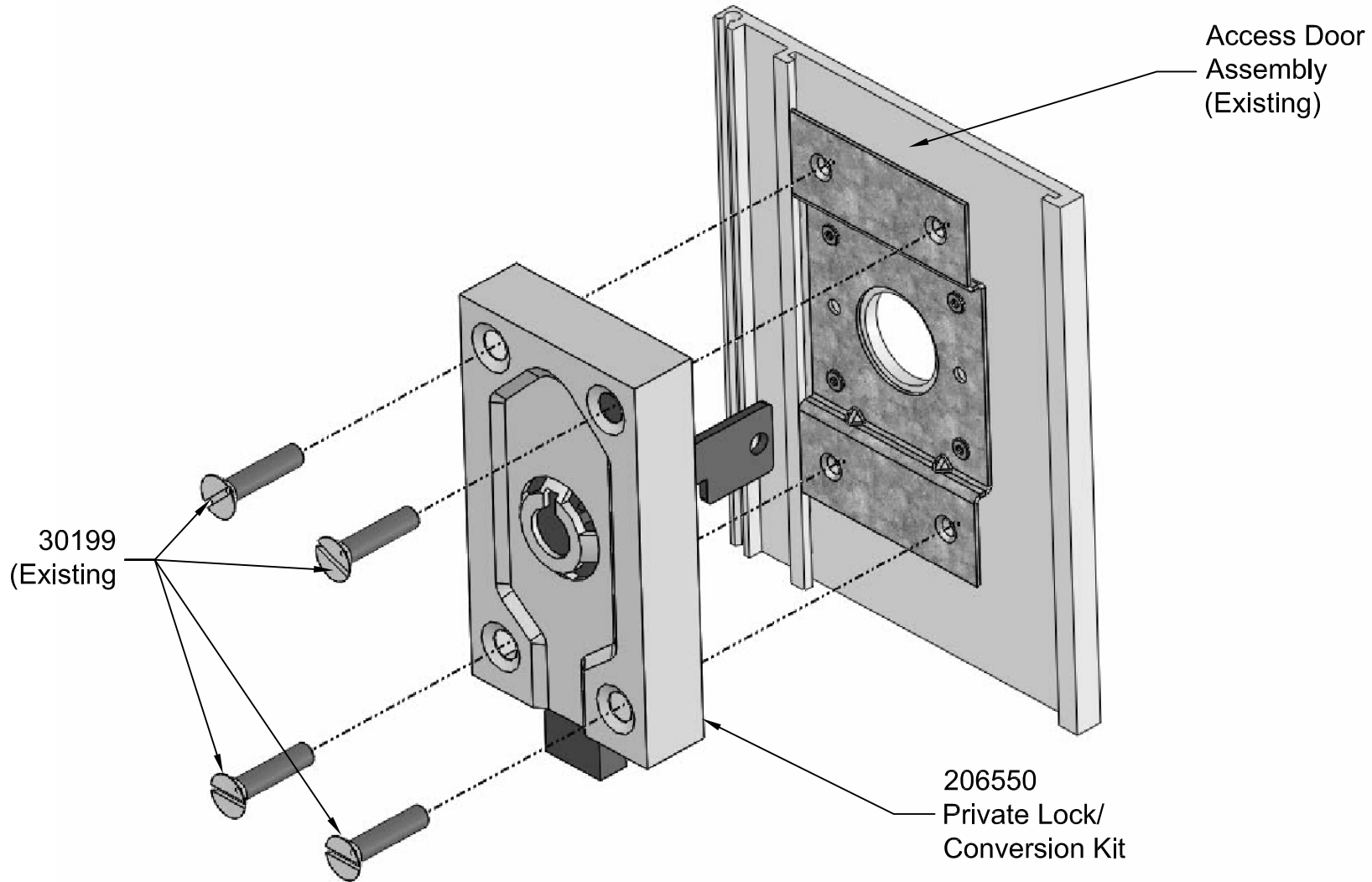


PRIVATE MASTER LOCK/CONVERSION KIT  
INSTALLATION 1600



Instructions:

1. Install the private lock/conversion kit (206550) in the access door assembly.
2. Use four (4) supplied #10-32 screws (30199) to secure lock to access door assembly.
3. Close and lock the master access door assembly.

PRODUCT SERIES: PRIVATE LOCK INSTALLATION INSTRUCTIONS

**FLORENCE**  
**CORPORATION**

5935 Corporate Drive • Manhattan, KS 66503  
800.275.1747 • www.florencemailboxes.com

MODEL	MULTIPLE	REV	-
SCALE	NONE	LAST REV DATE	4/26/2017
DRAWING NUMBER	206550INS		DRAWN BY
			NBC