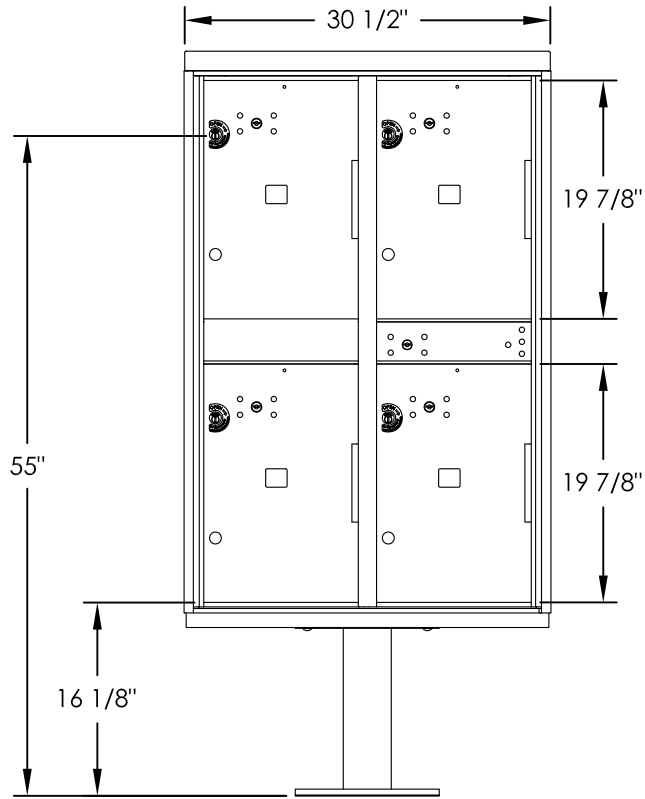
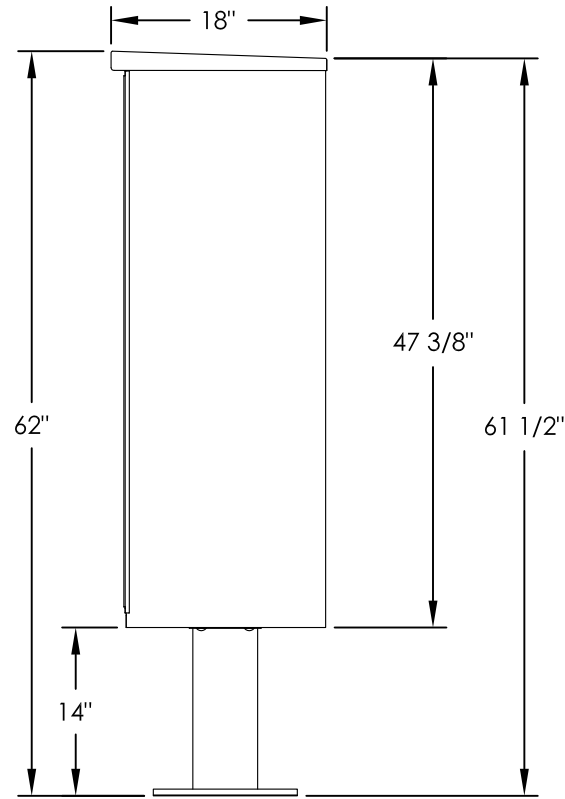


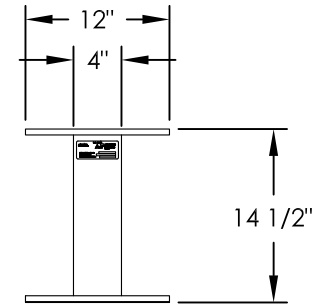
# valiant™ Outdoor Parcel locker - Type II



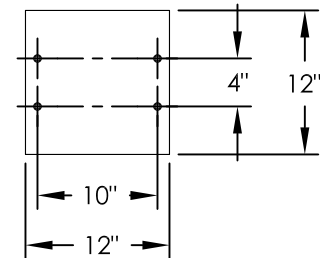
FRONT VIEW



SIDE VIEW



PEDESTAL



PEDESTAL BASE  
BOLT PATTERN

NOTES:

1. This unit is approved for USPS and private applications.
2. Decorative mailbox accessories sold separately and are USPS Approved products.
3. OPL pedestal should be installed with included Rubber Pad; mounting hardware not included, refer to installation manual for recommendations.
4. Florence is the only approved manufacturer of OPL units.

DOOR CHART

DOOR Type	DIMENSION (HEIGHT x WIDTH)
PARCEL	19 7/8"x12-13/16"

PRODUCT SERIES: valiant™ OUTDOOR PARCEL LOCKER



1743 Quincy Ave. Suite 151  
Naperville, IL 60540  
800-824-9985  
www.MailboxWorks.com

MODEL 1590-T2	REV A
SCALE NONE	LAST REV DATE 9/26/2012
DRAWING NUMBER 1590-T2CS	DRAWN BY AFD